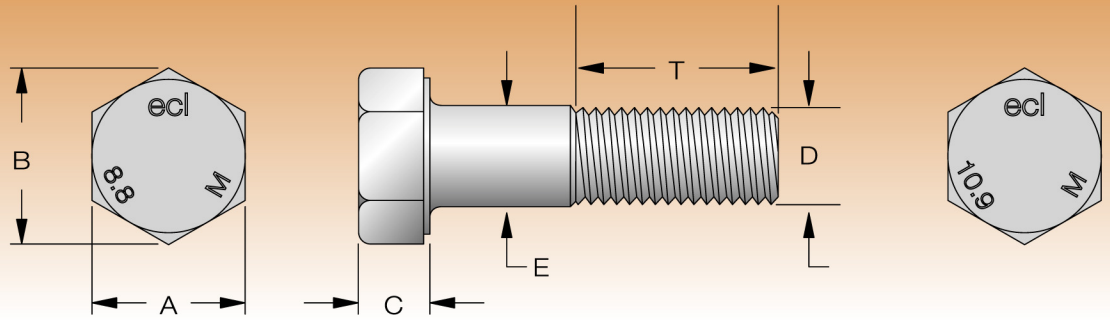




METRIC HEXAGON BOLTS



AS/NZS 1110-1995 • AS112-1980 • **PRODUCT DIMENSIONS** • **METRIC COARSE**

D Diameter	Metric Course		A Across Flats			B Across Corners Max	C Head Height Nom	E Shank	
	Pitch		Max	Up to 150mm Min	Over 150mm Min			Max	Min
	Mm	Tap Drill							
M5	0.80	4.20	8.0	7.78	7.64	9.2	3.5	5.0	4.82
M6	1.00	5.00	10.0	9.78	9.64	11.5	4.0	6.0	5.82
M8	1.25	6.80	13.0	12.73	12.57	15.0	5.3	8.0	7.78
M10	1.50	8.50	16.0	15.75	15.27	18.4	6.4	10.0	9.78
M12	1.75	10.20	18.0	17.73	17.57	20.7	7.5	12.0	11.73
M14	2.00	12.00	21.0	20.67	20.16	24.2	8.8	14.0	13.73
M16	2.00	14.00	24.0	23.67	23.16	27.7	10.0	16.0	15.73
M18	2.50	15.50	27.0	26.67	26.16	31.2	11.5	18.0	17.73
M20	2.50	17.50	30.0	29.67	29.16	34.6	12.5	20.0	19.67
M22	2.50	14.50	34.0	33.38	33.00	39.3	14.0	22.0	21.67
M24	3.00	21.00	36.0	35.38	35.00	41.6	15.0	24.0	23.67
M27	3.00	24.00	41.0	40.38	40.00	47.3	16.7	27.0	26.67
M30	3.50	26.50	46.0	45.00	45.00	53.1	18.7	30.0	29.67
M33	3.50	24.50	50.0	49.00	49.00	57.7	20.5	33.0	32.61
M36	4.00	32.00	55.0	53.80	53.80	63.5	22.5	36.0	35.61

METRIC FINE

Metric Course	PC 8.8		PC 10.9			
	Diam.	Pitch MM	Torque Nm	Tension kN	Torque Nm	Tension kN
M5	0.80	5.0	5.35	8.0	7.67	
M6	1.00	9.0	7.54	13.0	10.90	
M8	1.25	22.0	13.80	32.0	19.80	
M10	1.50	44.0	21.90	63.0	31.30	
M12	1.75	77.0	31.80	109.0	45.50	
M14	2.00	122.0	43.40	174.0	62.10	
M16	2.00	190.0	59.20	270.0	84.50	
M20	2.50	372.0	95.60	528.0	132.00	
M22	2.50	519.0	118.00	722.0	164.00	
M24	3.00	640.0	138.00	914.0	190.00	
M30	3.50	1314.0	219.00	1817.0	303.00	
M36	4.00	2297.0	319.00	3173.0	441.00	

Metric Fine	PC 8.8		PC 10.9			
	Diam	Pitch MM	Torque Nm	Tension kN	Torque Nm	Tension kN
M8	1.00	7.00	24.0	14.8	34.0	21.1
M10	1.25	8.90	46.0	23.1	66.0	33.0
M12	1.25	10.50	83.0	34.7	119.0	49.7
M14	1.50	1.50	132.0	47.1	189.0	67.6



Nominal Length of Bolt	T = Thread Length
Up to 125mm	T = 2D + 6mm
Over 125, up to 200mm	T = 2D + 12mm
Over 200mm	T = 2D + 25mm
Where D is the diameter	

Disclaimer: Whilst every effort has been made to ensure the accuracy of the information provided, Eclipse Fasteners (Aust) accepts no liability for any loss or damage either direct or consequential arising out of or in relation to the use or application of the product or information referred to herein.